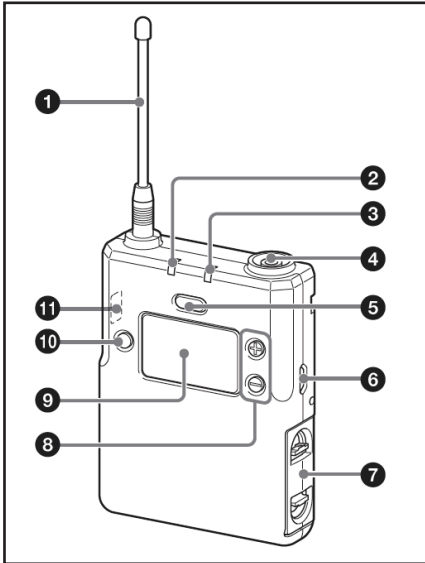




BODY-PACK TRANSMITTER (UTX-B03)



1 Antenna

2 Power Indicator – Displays the battery level

Indicator Display	Status
ON (Green)	Sufficient battery level
Flashing (Green)	Battery is getting low
Off	Power is off or battery is empty

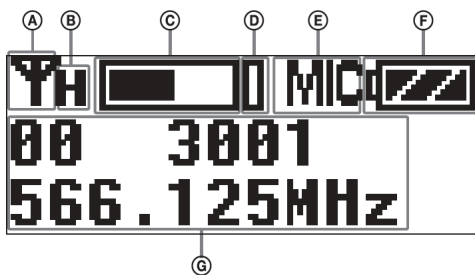
3 AUDIO Indicator

Indicator Display	Status
ON (Red)	Audio input level is too high
ON (Green)	Audio input level is appropriate
Off	There is no audio input or the input level is too low
Flashing (Orange)	Audio is muted (i.e. disabled)

4 Audio Input Connector – Connect the supplied lavalier microphone

- 5 POWER/MUTING Button** – Turns the power on/off. You can also use this button to turn the muting function on/off.
- 6 USB Connector** – You can power the unit using a USB cable (either portable power supply or connected to the mains).
- 7 Battery Compartment**
- 8 + or - Button** – Use these to operate the menu
- 9 Display Section**
- 10 SET Button** – Use this to set values/functions in the menu
- 11 Infrared Detector** – Receives the frequency and compander mode set on the tuner

TRANSMITTER DISPLAY



A RF Transmission Indicator – Displays the current transmission status

B RF Transmission Power Indicator – Indicates the current transmission power setting.

C Audio Input Level Meter – Displays the audio input level.

D Peak Indicator – Lights up when the audio signal is 3dB below the level at which distortion begins as a warning of excessive input level.

E Input Level Indicator – Displays the input level status (MIC or LINE)

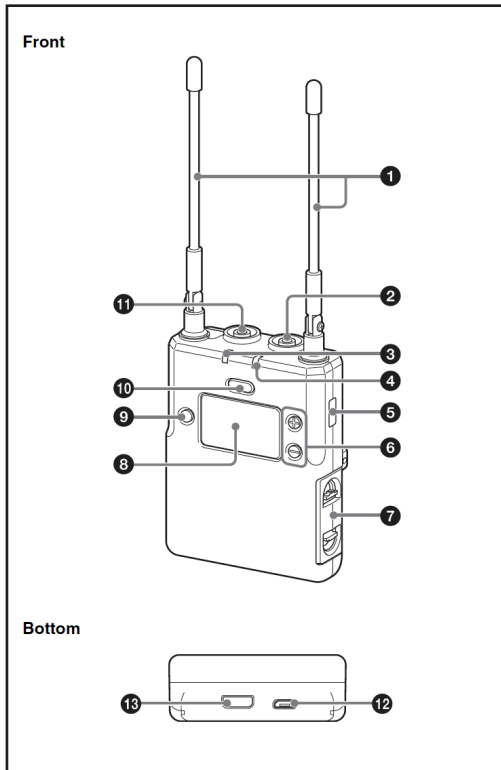
F Battery Level Indicator – Displays the battery level.

G Menu Display Section – Displays various functions. Press the + and - buttons to switch functions.



CHASSIS & DISPLAY OVERVIEW – RECEIVER

PORTABLE DIVERSITY TUNER (URX-P03)



- ❶ **Antenna**
- ❷ **PHONES (monitor) connector** – Connect to headphones to monitor the audio output.
- ❸ **Power Indicator** – Displays the battery level

Indicator Display	Status
ON (Green)	Sufficient battery level
Flashing (Green)	Battery is getting low
Off	Power is off or battery is empty

- ❹ **RF (radio frequency input) Indicator** – Displays the RF input level as follows:

Indicator Display	Status
ON (Green)	Input level is 25dB μ or more
ON (Red)	Input level is 15 to 25dB μ
Off	Input level is 15 dB μ or lower

0 dB μ = 1 μ V EMF

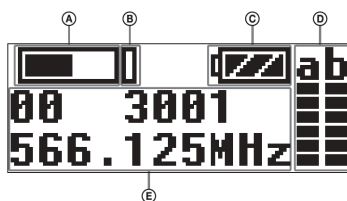
- ❺ **Infrared Transmitter Port** – Sends the set frequency and compander mode to the transmitter
- ❻ **+ or - Button** – Use these to operate the menu
- ❼ **Battery Compartment**
- ❽ **Display Section**
- ❾ **SET Button** – Use this to set values/functions in the menu
- ❿ **Power Button** – Turns the power on/off

❶ **Output Connector** – Connect the XLR to stereo mini jack cable here and the other end to the audio mixer. If using a camera, connect the stereo mini jack to stereo mini jack cable here and the other end to the mic input on a camera.

❷ **USB Connector** – You can power the unit using a USB cable (either portable power supply or connected to the mains).

❸ **Auxiliary Connector** – Used to connect external accessories

RECEIVER DISPLAY



- Ⓐ **Audio Input Level Meter** – Displays the audio input level.
- Ⓑ **Peak Indicator** – Lights up when the audio signal is 3dB below the level at which distortion begins as a warning of excessive input level.
- Ⓒ **Battery Level Indicator** – Displays the battery level.
- Ⓓ **RF Level (reception level) Indicator** – Indicates the current reception level
- Ⓔ **Menu Display Section** – Displays various functions. Press the + and - buttons to switch functions.